

# THE WEDGE PRESS

## FLOUR TORTILLA MACHINE



**READY TO COOK  
FLOUR TORTILLAS  
ON THE ULTIMATE  
STATE OF THE ART COUNTER  
TOP PRESS**

**12" BURRITO SIZE**

**SAFE, COMPACT**

**EASY TO CLEAN**

**LOW MAINTENANCE**

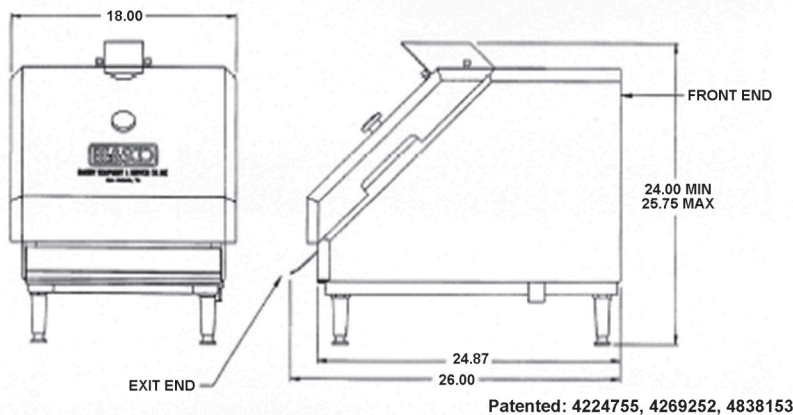
- **2 MOVING PARTS**  
*Optional Stand Available  
on Model 12S*

### SPECIFICATIONS Model 12:

Voltage ..... 220/240 AC  
Cycles ..... 60HZ  
Phase ..... Single  
Amperage ..... 23.4

**Produces 780 to 900  
ready-to-cook tortillas per hour\***  
From 4" to 12" Diameter

**Total Power Usage:** ..... 5.6 KW  
**Total Heating Element Wattage:** ..... 5200  
**Press Motor Size:** ..... 1/8 HP  
**Press Motor Voltage:** .... 90VDC Variable  
**Press Motor Amperage:** ..... 1.0  
**Shipping Weight:** ..... 200lbs.



**Intertek**  
4001918



**1-800-683-0928**

\* Tortilla production will vary depending upon diameter and thickness of tortillas and the experience of the equipment operator.\*\*

1623 N. San Marcos • San Antonio, TX 78201 • (210) 734-5124 • FAX (210) 737-3925

View video of the Wedge Press on our website: [www.bescomfg.com](http://www.bescomfg.com)

11/23/10